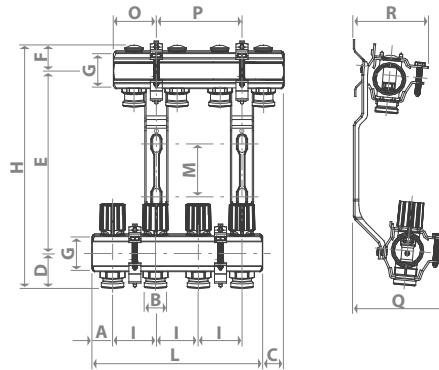




**R553D for R500 cabinets with 110 mm depth**



Product code	N° of outlets	G x B	A [mm]	C [mm]	D [mm]	E [mm]	F [mm]	H [mm]	I [mm]	L [mm]	M [mm]	O [mm]	P [mm]	Q [mm]	R [mm]
R553Y002	2	1" x base 18	24	25	41	213	43	297	50	98	50±73	49	-	106	84
R553Y003	3									148			-		
R553Y004	4									198			100		
R553Y005	5									248			150		
R553Y006	6									298			200		
R553Y007	7									348			250		
R553Y008	8									395			300		
R553Y009	9									448			350		
R553Y010	10									498			400		
R553Y011	11									548			450		
R553Y012	12									598			500		
R553Y024	4									1 1/4" x base 18			24		
R553Y025	5	248	150												
R553Y026	6	298	200												
R553Y027	7	348	250												
R553Y028	8	395	300												
R553Y029	9	448	350												
R553Y030	10	498	400												
R553Y031	11	548	450												
R553Y032	12	598	500												
R553EY002	2	1" x 3/4"E	24	25	41	213	43	297	50	98	50±73	49	-	106	84
R553EY003	3									148			-		
R553EY004	4									198			100		
R553EY005	5									248			150		
R553EY006	6									298			200		
R553EY007	7									348			250		
R553EY008	8									395			300		
R553EY009	9									448			350		
R553EY010	10									498			400		
R553EY011	11									548			450		
R553EY012	12									598			500		

**Additional information**

For additional information please check the website [www.giacomini.com](http://www.giacomini.com) or contact the technical service: ☎ +39 0322 923372 📠 +39 0322 923255 ✉ [consulenza.prodotti@giacomini.com](mailto:consulenza.prodotti@giacomini.com)  
 This pamphlet is merely for information purposes. Giacomini S.p.A. retains the right to make modifications for technical or commercial reasons, without prior notice, to the items described in this pamphlet. The information described in this technical pamphlet does not exempt the user from following carefully the existing regulations and norms on good workmanship.  
 Giacomini S.p.A. Via per Alzo, 39 - 28017 San Maurizio d'Opaglio (NO) Italy